

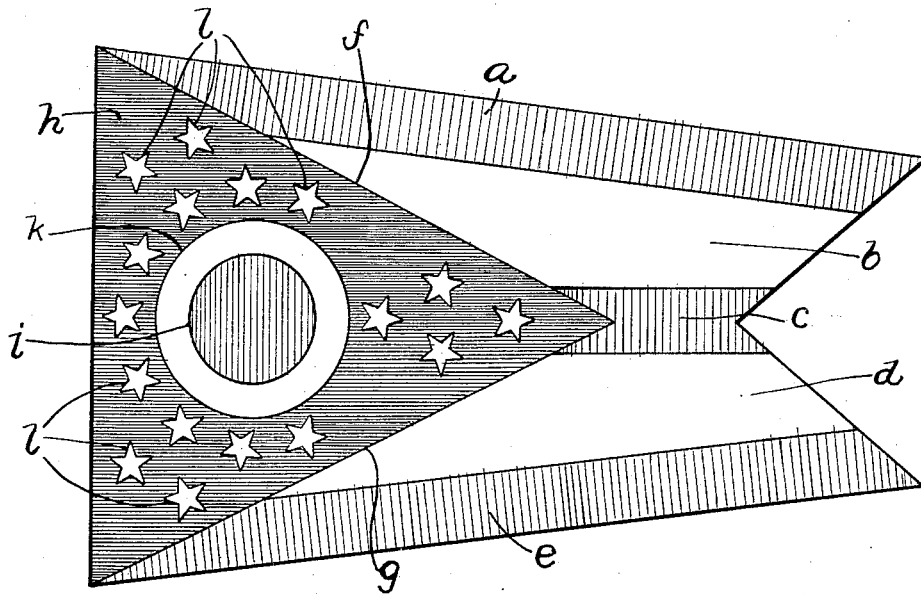
DESIGN.

No. 34,810.

Patented July 23, 1901.

J. EISENMANN.
FLAG.

(Application filed June 17, 1901.)



WITNESSES:
Daniel E. Daly.
Victor C. Lynch.

INVENTOR
John Eisenmann
BY
Richard W. ...
his ATTORNEY &

UNITED STATES PATENT OFFICE.

JOHN EISENMANN, OF CLEVELAND, OHIO.

DESIGN FOR A FLAG.

SPECIFICATION forming part of Design No. 34,810, dated July 23, 1901.

Application filed June 17, 1901. Serial No. 64,964. Term of patent 3½ years.

To all whom it may concern:

Be it known that I, JOHN EISENMANN, a citizen of the United States of America, and a resident of Cleveland, in the county of Cuyahoga and State of Ohio, have invented and produced a new and original Design for Flags, of which the following is a specification, reference being had to the accompanying drawing, forming a part thereof.

10 As shown in the drawing, my design comprises a triangular forked or swallow-tailed flag corresponding to the shape generally known as a "cavalry-guidon" or "broad pennant."

15 The field of my design, which is white, is divided by horizontal lines into five broad stripes *a*, *b*, *c*, *d*, and *e*. The stripes *a*, *c*, and *e* are given a different color from the stripes *b* and *d*.

20 Two diagonal lines *f* and *g* are drawn from the upper and lower left-hand corners of the design and meet on the center line thereof, forming a triangular canton *h*, one side of which corresponds with the vertical edge of
25 the flag. At the center of the canton two concentric circles *i* and *k*, respectively, are

drawn, the space within the inner circle being colored red. The canton without the outer circle is colored blue to distinguish it from the remainder of the field of the design. 30 On the field of the canton are arranged a group of five-pointed stars *l*, seventeen in number.

The essential and characteristic feature of my design for a flag consists in the pennant-shaped field having arranged thereon a canton in the form of a triangle which has its base corresponding with the vertical edge of the flag and its apex lying on the center line of the flag and having at its center two con- 40 centric circles.

Having described my invention, what I claim as new, and desire to secure by Letters Patent, is—

The design for a flag, as herein shown and 45 described.

Signed by me at Cleveland, Ohio, this 1st day of June, 1901.

JOHN EISENMANN.

Witnesses:

VICTOR C. LYNCH,
A. H. PARRATT.